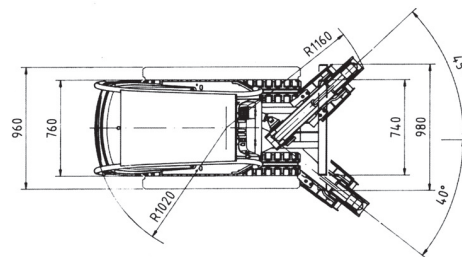
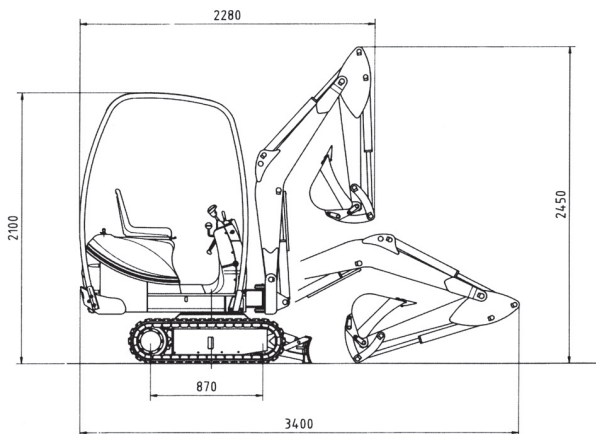
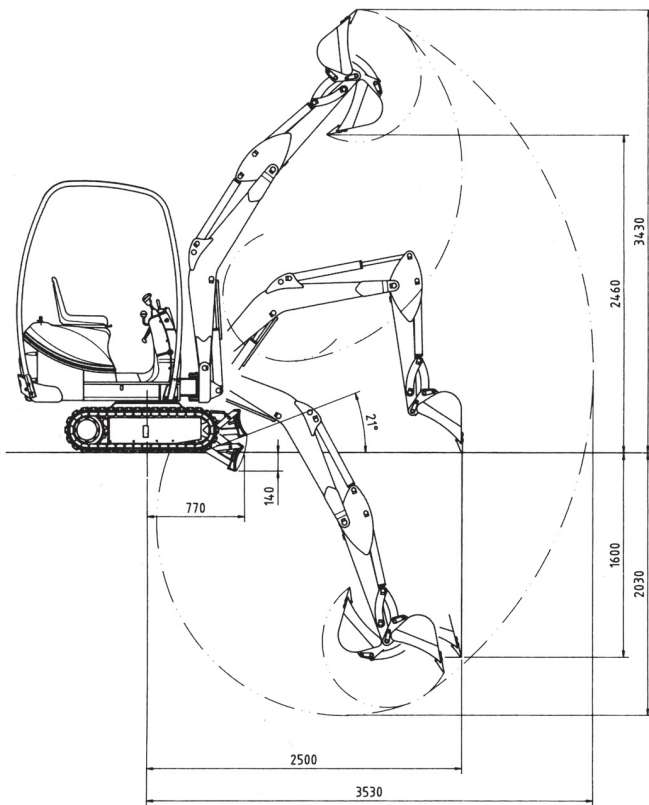


# MINIDIG 1000



## Engine

Lombardini LDW 1003 a 3 cylinder Diesel engine  
Power max Kw 15 - Hp 20 (a 2500 rpm)  
Calibration engine 2.200 rpm 13,2 Kw - 17,6 Hp  
displacement cc 916 Water cooled

## Undercarriage

Rubber tracks 190 x 37 x 72  
Ground pressure kg/cm<sup>2</sup> 0,23  
Hydraulic widening undercarriage  
mm 760 a mm 960  
Reduction gear with negative brake

## Hydraulic system

2 gear pump with flow rate 14+14 l/min  
Working pressure 160 bar  
PTO 28 l/min Hydraulic piping  
with hoses Oil cooling system

## Capacity

Fuel tank 11,5 l  
Hydraulic oil 11,5 l  
Hydraulic system capacity 23 l  
Engine oil capacity 2,4 l  
Cooling system capacity 4 l

## Weight

Kg. 980

## Speed

rotating upper carriage 8 rpm  
travelling daa 1,9 a 3,8 km/h with pedal for  
double speed

## Tearout force

to the drop 11000 N - Kg. 1100  
to the balance 6950 N - Kg. 695

## Noise

Conforms with 2000/14/CE  
Lwa 93 dbA

## Electric System

12 V

## Optional

Bucket with teeth width 250/300/400 mm  
Bucket with ejector 150/200/300 mm  
Bucket cleaning ditch da mm 700  
Demolition hammer da kg. 50  
Hydraulics auger  
Shredder  
Trancher  
Protection canopy  
Working light