



**CASE**  
CONSTRUCTION

**NEW**  
**MINI TRACK LOADER**



**TL100**

# SPECIFICATIONS

## TL100

### SPECIFICATIONS

#### ENGINE

Model	Kubota D1305-E4B	
Engine Power		
- Gross	hp/kW	24.8 / 18.5
- Net	hp/kW	24 / 18
Displacement	l	1.2
Cylinders		3
Peak Torque	N-m @ rpm	80.1 @ 1700
Emissions certification		Stage V

#### DRIVELINE

Transmission type	Hydrostatic	
Maximum travel speed	km/h	7.5
Parking brake	SAHR pin brake	

#### LOADER ARM

Lift geometry	Radial	
Tipping load		
- Narrow track	kg	1285
- Wide track	kg	1428

#### RATED OPERATING CAPACITY (R.O.C.)

- Narrow track 35% of the tipping load (50%)	kg	450 (643)
- Wide track 35% of the tipping load (50%)	kg	500 (714)

#### HYDRAULICS

Implement pump type	Fixed gear	
Loader control valve type	Open center	
Standard flow	lpm	50
Operating pressure	bar	190

#### SERVICE CAPACITIES

Fuel tank	l	30
Engine oil with filter	l	4.5
Hydraulic system	l	17
Engine coolant	l	3.5



# SPECIFICATIONS

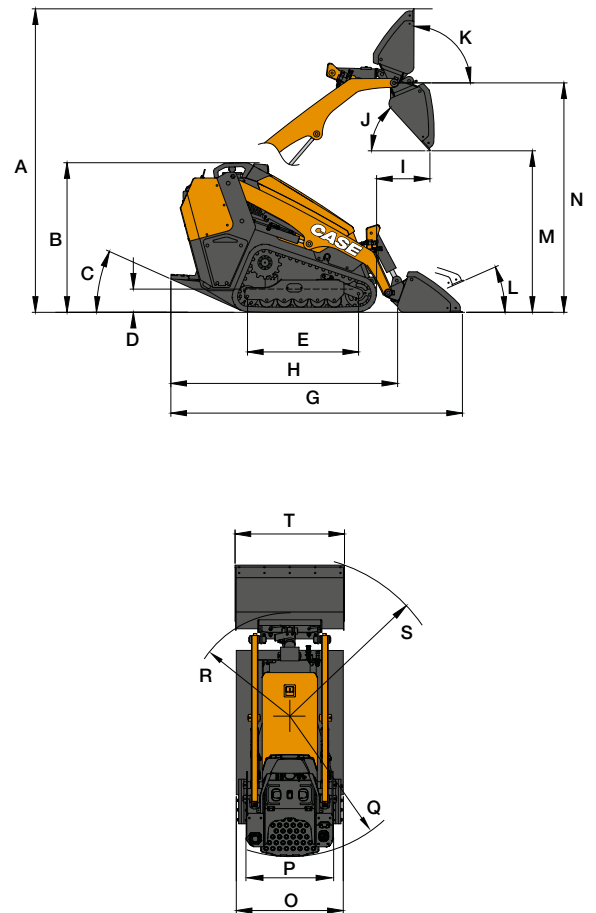
## TL100

### DIMENSIONS

A	Overall operating height	mm	2911
B	Overall height	mm	1435
C	Rear departure angle	°	31
D	Ground clearance	mm	222
E	Track length on the ground	mm	1065
F	Overall length without bucket	mm	2175
G	Overall length with standard bucket	mm	2796
H	Transport length (no bucket, platform raised)	mm	2155
I	Reach at maximum dump	mm	511
J	Dump angle	°	48
K	Maximum rollback at full height	°	90
L	Maximum rollback at ground	°	24
M	Dump height with standard bucket	mm	1549
N	Hinge pin height	mm	2201
O	Machine width:		
	- Narrow track	mm	890
	- Wide track	mm	1026
P	Track gauge:		
	- Narrow track	mm	710
	- Wide track	mm	776
Q	Clearance circle radius - Rear	mm	1348
R	Clearance circle radius - Without bucket	mm	913
S	Clearance circle radius - With standard bucket	mm	1541
T	Bucket width:		
	- Narrow track	mm	914
	- Wide track	mm	1067

### OPERATING WEIGHT

Narrow track (with 2x lateral counterweights)	kg	1604
Wide track (with 6x lateral counterweights)	kg	1716



# STANDARD AND OPTIONS

### STANDARD EQUIPMENT

- + Cushioned operator platform
- + Operator presence sensor
- + Operator grab handles
- + Cup holder
- + Pocket for cellular phone
- + Hydraulic pilot joystic control
- + 50 lpm standard auxiliary flow
- + Loader arm float
- + Engine tip-over shut-off
- + Front and rear LED work lights
- + Common Industry Interface quick coupler
- + 12v power plug socket
- + Master battery disconnect
- + Wide track
- + 42" bucket

### OPTIONAL EQUIPMENT

- + CASE drain attachment connection
- + 14-pin multifunction electric socket
- + Bio-hydraulic oil and lubricants
- + Telematic on-board
- + 2 years Sitewatch subscription
- + Narrow track
- + 36" bucket
- + Bolt-on bucket teeth and cutting edge
- + Pallet forks
- + Snow blade
- + Sweeper bucket
- + Auger
- + Front mulcher
- + Grapple bucket
- + Angle broom
- + Scraper blade
- + Loading ramps



# BUILDING ON OUR HERITAGE.

Since 1842, at CASE Construction Equipment we have lived by an unwavering commitment to build practical, intuitive solutions that deliver both efficiency and productivity.

The vast CASE dealers' network is always ready to support and protect your investment.

At the end of the day, we do what's right for our customers and our communities so that they can count on CASE.

**CNH Industrial**  
Deutschland GmbH  
Case Baumaschinen  
Benzstr. 1-3 - D-74076 - Heilbronn  
DEUTSCHLAND

**CNH Industrial**  
Maquinaria Spain, S.A.  
Avenida Aragón 402  
28022 Madrid  
ESPAÑA

**CNH Industrial France, S.A.**  
16-18 Rue des Rochettes  
91150 Morigny-Champigny  
FRANCE

**CNH Industrial Italia Spa**  
Lungo Stura Lazio 19  
10156, Torino  
ITALIA

**CASE Construction Equipment**  
Cranes Farm Rd  
Basildon - SS14 3AD  
UNITED KINGDOM

NOTE: Standard and optional fittings can vary according to the demands and specific regulations of each country. The illustrations may include optional rather than standard fittings - consult your Case dealer. Furthermore, CNH Industrial reserves the right to modify machine specifications without incurring any obligation relating to such changes.

Conforms to directive 2006/42/EC

**CASECE.COM**  
**00800-2273-7373**

The call is free from a land line.  
Check in advance with your Mobile Operator if you  
will be charged. Toll free number not available from  
all calling areas.

